

Features

- ✧ Two photoelectric isolation CAN interfaces.
- ✧ Suitable for ring network.

Description

- ✧ Refer to GST-IFP4E Fire Alarm Control Panel Installation Manual.
- ✧ P-9966EA card is optional for GST-IFP4E control panel, providing two photoelectric isolation CAN interfaces.
- ✧ This card is NOT hot-swappable.
- ✧ Refer to the control panel manual for following settings.
 - 1) Define the quantity of network cards connecting to the control panel.
 - 2) Set addresses quantity of the control panels in the system.
- ✧ LEDs
 - 1) P-9966EA card has internal RS485, CAN1 and CAN2 ports. Illuminating HL2 and HL3 mean that a port is fault.
 - 2) Flashing HL2 and HL3 mean that P-9966EA works normally.
- ✧ In CAN network made of those cards, CAN1 connects with the CAN2 of the neighbor control panel. Maximum distance between two networked panels shall be within 3000 m.
- ✧ One GST-IFP4E control panel can connect max three P-9966EA cards, refer to Fig. 2.

Connection & Wiring

Fig 1 shows the connection when HN-9990 is plugged into S2 slot.

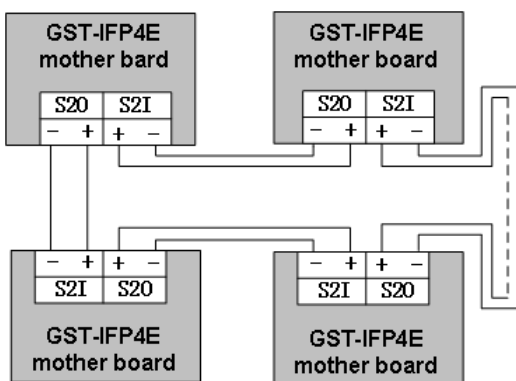


Fig. 1 CAN Ring Network



Installation

The position of P-9966EA card is shown in Fig. 2. P-9966EA CAN Network Card can be plugged into L5/L6, S1 or S2 slot of MB-400E Mother Board. Maximum three Network cards, including P-9966EA, P-9956E-Modbus or P-9983EA may be used in the panel. When plugged on slot L5/L6, connect external network wires on terminals L5I and L5O. When plugged on slot S1, connect external network wires on terminals S1I and S1O. When plugged on slot S2, terminals S2I and S2O are to be used.

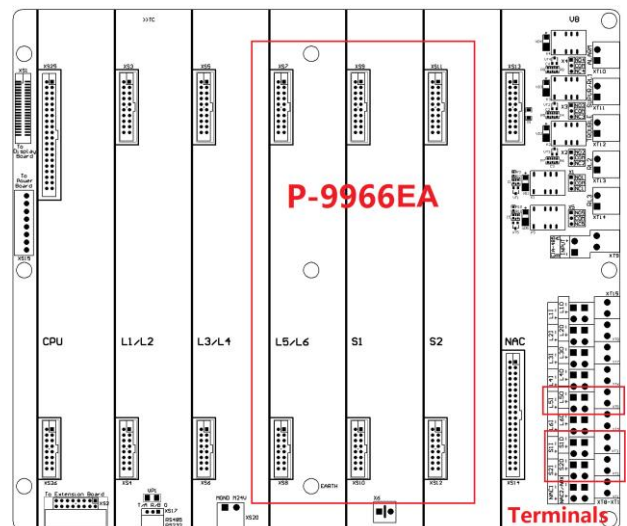


Fig. 2

Application

P-9966EA CAN Class A Network Card is inserted into mother board slots of the control panel as shown in Fig.2. Ring network is formed though twisted pair as shown in Fig. 1.

Specification

Comm. Interface	Two CAN interfaces
Comm. Distance	The distance between two neighbor nodes is less than 3000m
Network Capacity	Maximum 250 GST series control panels for networking.
Transmission Medium	1.0 mm ² or above twisted pair, shielded twisted pair is recommended.
Baud Rate	10Kbps

Electrical Rating	5VDC, 200mA
Ambient Temperature	-5-50°C/23-122° F
Relative Humidity	95% RH (non-condensing)

Trouble shooting

Problems	Solutions
Messages cannot be transmitted.	<ol style="list-style-type: none"> 1. Check if the communication is normal according to status of LED HL1 and HL2. 2. Check if the connection is correct according to Fig. 1. 3. Check addresses of control panels in turn.

Limited Warranty

GST will repair or replace the product to the original purchaser free of charge, if defective in materials or workmanship during the warranty period, subject to the terms below. GST and KDSS are not responsible for defects or problems as a result of conditions or applications including normal wear and tear; catastrophe; fault or negligence of any user or any party other than GST and KDSS; improper installation, application, storage, maintenance, or use of products; other causes external to products; or failure to conform to any applicable recommendations of GST and KDSS. In no event shall GST and KDSS be liable for incidental, indirect, special or any other consequential damages. To the fullest extent permissible by law, the foregoing limited warranty is exclusive and in lieu of all other warranties, whether written, oral, implied or statutory. Subject to applicable law, in no event shall the liability of GST and KDSS exceed the purchase price of the products. NO IMPLIED WARRANTY OF MERCHANTABILITY OR FITNESS FOR PARTICULAR PURPOSE SHALL APPLY. Anybody, including the agents, distributors or employees, is not in the position to amend the contents of this warranty.

Product warnings and disclaimers

THESE PRODUCTS ARE INTENDED FOR SALE TO AND INSTALLATION BY QUALIFIED PROFESSIONALS. KIDDE GLOBAL SOLUTIONS AND ITS AFFILIATE COMPANIES (TOGETHER AND EACH INDIVIDUALLY "KGS") CANNOT PROVIDE ANY ASSURANCE THAT ANY PERSON OR ENTITY BUYING ITS PRODUCTS, INCLUDING ANY "AUTHORIZED DEALER" OR "AUTHORIZED RESELLER", IS PROPERLY TRAINED OR EXPERIENCED TO CORRECTLY INSTALL FIRE AND SECURITY RELATED PRODUCTS.

This Data Sheet is subject to change without notice. Please contact GST for more information or questions.

Gulf Security Technology Co., Ltd.

No. 80, Changjiang East Road, ETDZ, Qinhuangdao, Hebei, P. R. China 066004

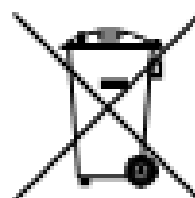
Tel: +86 (0) 335 8502434

www.gst.com.cn

For more information on warranty disclaimers and product safety information, please check <https://firesecurityproducts.com/policy/product-warning/> or scan the following code:



WEEE Information



2012/19/EU (WEEE directive): Products marked with this symbol cannot be disposed of as unsorted municipal waste in the European Union. For proper recycling, return this product to your local supplier upon the purchase of equivalent new equipment, or dispose of it at designated collection points.

For Article33 information, please refer to the following website: <https://www.gst.com.cn/en/reacharticle33.asp>